



iC 70R



# iC 70R

FULL-ROTATING CRAWLER CARRIER



9-37, Higashi-ohi 1-chome, Shinagawa-ku, Tokyo, 140-0011, Japan / Tel.: Head Office: +81 (0) 3 3458-1111 Overseas Marketing Department: +81 (0) 3 3458-1115 / FAX: +81 (0) 3 3458-1151

Web site [kato-works.co.jp](http://kato-works.co.jp) / KATO WORKS OFFICIAL [youtube.com/user/katowork](https://www.youtube.com/user/katowork) [instagram.com/kato\\_works\\_official/](https://www.instagram.com/kato_works_official/)

● Before you operate the machine, study the instruction manual thoroughly and follow the instructions it contains.  
● Some differences may arise between the machine delivered and the photographs in the catalog due to any added improvements.  
Note: The specification may be changed without notice.  
● The actual colors of the body and interior may appear slightly different from those shown in this catalog due to the limitation of photography and printing.

● Contact for enquiry:

**KATO** **KATO WORKS CO.,LTD.**  
9-37, Higashi-ohi 1-chome, Shinagawa-ku, Tokyo, 140-0011, Japan  
Tel.: Head Office: Tokyo +81 (0)3 3458-1111  
Overseas Marketing Department: Tokyo +81 (0)3 3458-1115 / FAX: Tokyo +81 (0)3 3458-1163  
<https://www.kato-works.co.jp>



# Meet the new, safe, and compact full-rotating crawler carrier!



The compact body can fit in many carrier trailers.



It has one of the lowest height of **2,680mm** in all crawler carriers.

The narrowest machine of the same class, at **2,490mm!** It can enter very tight working spaces and reduce the collision risk.

More accessible transportation is achieved.



## Various Safety Features

Automatic limitations ensure safe operation at any site.



### Low Center of Gravity

Lower the center of gravity for better stability. Reduces the risk of tipping over. Ground clearance at 560mm ensures maneuverability.



### Safe Mounting

The cabin is lowered as well for easier mounting of the machine.



### Travel Speed Limit

Travel while rotating the upper structure

Travel speed is limited to **50%**  
Rotation speed is limited to **70%**



Travel during vessel dumping

Travel speed is limited to **50%**



### Overrun Prevention

If engine speed exceeds specified value during downslope, The oil discharge will be adjusted automatically, limiting travel speed to prevent overrun.



### Vessel Dump Limit

For safety, upper structure rotation and vessel dump cannot be done at the same time.

On a slope steeper than **9°**, vessel dump has limitations to prevent tipping over.



\*Only when the operation seat is facing downwards.

# New and Ergonomic Cabin for the Best Comfort



### Air Conditioning

It has been repositioned to the optimal position.



### Acceleration Pedal

Besides the travel control lever, it is possible to use a proportional pedal to control travel. (Option)



### Color LCD Monitor

With max visibility.



### 2-step Slide Seat in a Low Position

The left lever unit and the operator seat can slide into a preferred position. The seat is also in a low position for better comfort during travel.



# Better Visibility on the Right-hand Side of the Cabin



### Cameras to Minimize Blind Spots

Standard double cameras to cover blind spots. The monitor has excellent visibility.

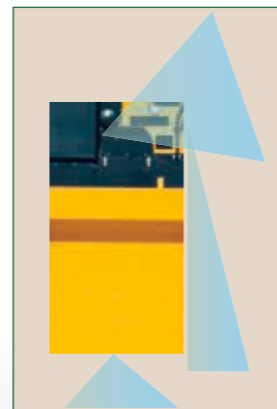
It can show both the side and back camera at the same time



Side Camera



Back Camera



\*Actual range may vary

# Electronic control joystick lever for comfortable operation



### Smooth traveling and operator friendly

The new electronic hydraulic control system controls discharge amount of the hydraulic oil according to the operation load. It shifts the gear automatically therefore no need to consider engine stoll and additional operation.

### Low fuel consumption

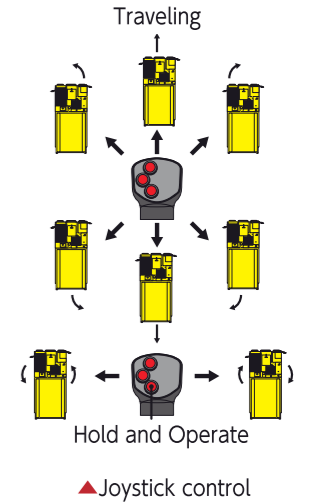
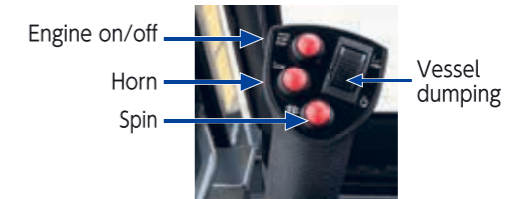
When the lever is at the neutral position, it turns to idling mode and saves the fuel consumption.

### Easy operation

All controls, traveling, engine on/off, horn and vessel dumping are completed on joystick lever. It enable operator to do all traveling operation without further motion.

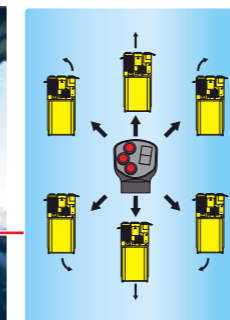


Switches have been gathered



## Travel Operation Changeover Switch

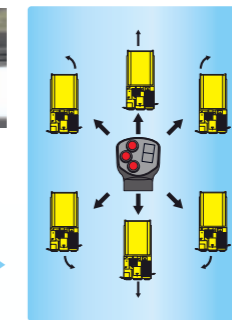
There is a switch to reverse the steering direction and travel operations. So operators can operate the same way after rotating 180°.



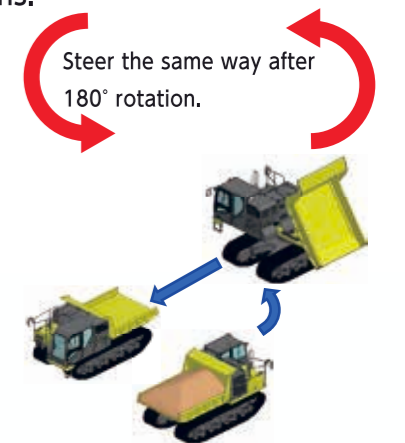
Normal Operation



Travel Operation Changeover Switch



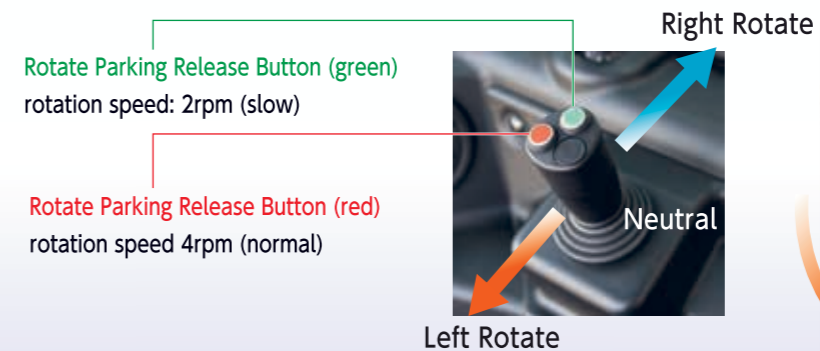
Reverse Operation



Steer the same way after 180° rotation.

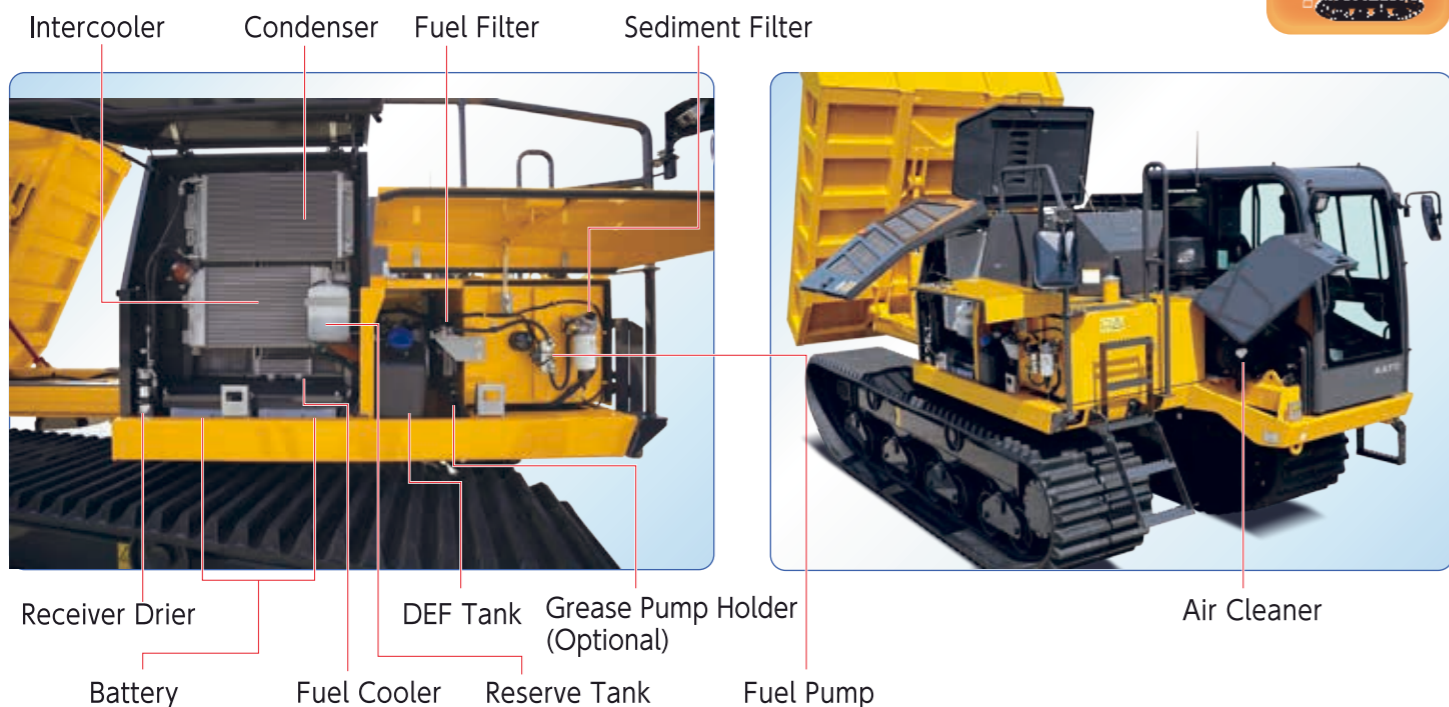
## Rotation Operation

The upper body will only rotate after the operator holds the rotate parking release button at neutral and then operates the lever. There are two rotation speed options to choose from.



# Better Layout for Easy Maintenance

Wide-openable covers for easy access



▲LED Light on the Cab



▲LED Headlight



▲Wear Resistant Steel Vessel



▲Foldable Ladder



## Overload Prevention Alert

The operator can set a maximum load limit in advance, and the horn alerts when reaching the limit. It prevents overloading accidents.



▲Display while weighing



## Specification

Model	IC70R
Spec	Cabin
Payload	7,000kg
Machine Weight	11,525kg
Vessel Capacity	4.0m <sup>3</sup> (heaped) 2.0m <sup>3</sup> (struck)

### Travel

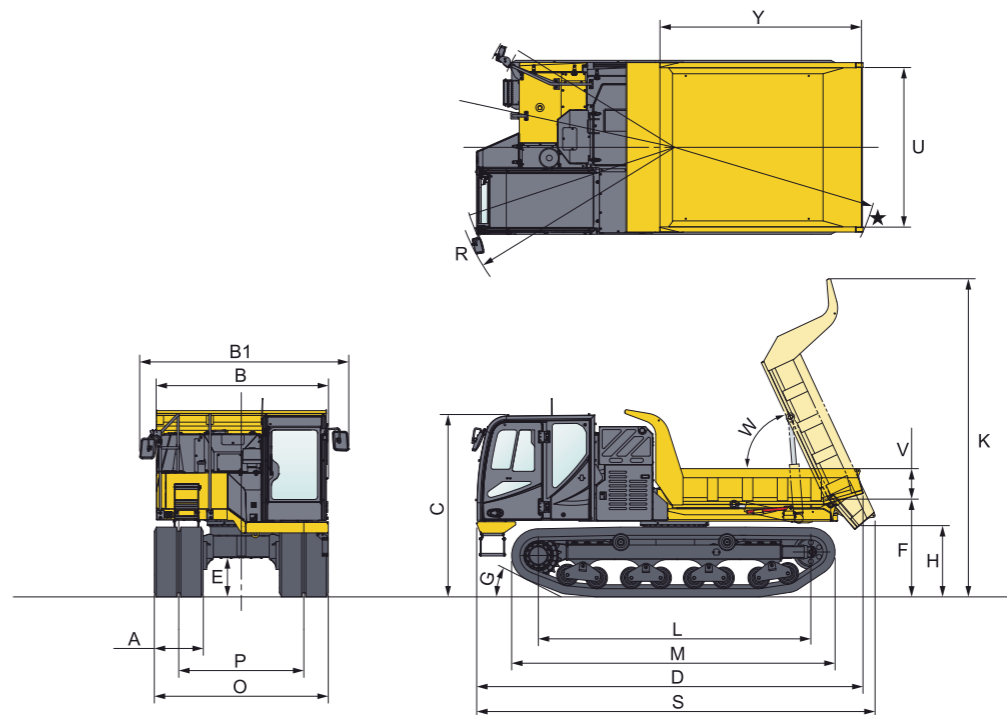
Travel Speed	8.0 / 12.0km/h (low/high)
Speed Change System	2-Speed Travel Motor
Rotation Speed	4min <sup>-1</sup> (rpm)
Ground Pressure	25.8kPa (0.26kgf/cm <sup>2</sup> ) Unloaded 41.4kPa (0.42kgf/cm <sup>2</sup> ) Loaded

### Engine

Name	Kubota V5009
Rated Output	140kW (190.3PS) / 2,200min <sup>-1</sup>
Exhaust	5,010CC

### Tanks

Oil Tank	90L
Fuel Tank	285L
DEF Tank	40L



### Dimensions

Vessel Specifications		Scoop End	
B	Upper Machine	no side mirror	2,490mm
B1	Width	with side mirror	2,990mm
C	Overall Height		2,680mm
D	Overall Length		5,550mm
E	Minimum Ground Clearance		560mm
F	Body Height		1,410mm
Y	Vessel Dimension	Length	2,890mm
U		Width	2,280mm
V		Height	430mm
G	Approach Angle		27°
R	Rotation Radius		3,220mm
★	Vessel Rotation Radius		2,960mm

### Dumping

S	Overall Length	5,720mm
K	Overall Height	4,550mm
H	Vessel Floor height from ground when dumping	1,020mm
W	Dumping Angle	65°

### Crawler

L	Tumbler Center Distance	3,900mm
M	Crawler Overall Length	4,630mm
O	Crawler Overall Width	2,490mm
P	Crawler Center Distance	1,790mm
A	Crawler Width	700mm

Crawler Shoe Pitch	100mm
Crawler Shoe Number	98×2

### Standard Equipment

Crawler Shoe	700mm Rubber Crawler Shoes
Vessel	Scoop End (Reinforced Steel)
Operation Cabin	ROPS Cabin, Window Washer, Cigar Lighter Socket, Room Light, Air Conditioner, USB Socket (5V), Color Display
Operation Lever	Joystick Lever (Travel), Joystick Lever (Rotation)
Attachments	Alarm (Horn), Back Alarm, LED Headlight, Floor Mat
Others	Seat with Suspension, Seat Belt, Side/Back Monitor, Overload Prevention Alert, Dump Count Function

### Option

Operation Cabin	Radio
Operation Lever	Travel Pedal
Attachments	Grease Pump Holder, LED Backlight